

KIT CLOSE ASSEMBLY

If you purchase a Kit Close for your printer, you will have to mount it on the printer. The mounting is different depending on whether you have an NX or a BF.

Kit Close assembly for NX range printers.

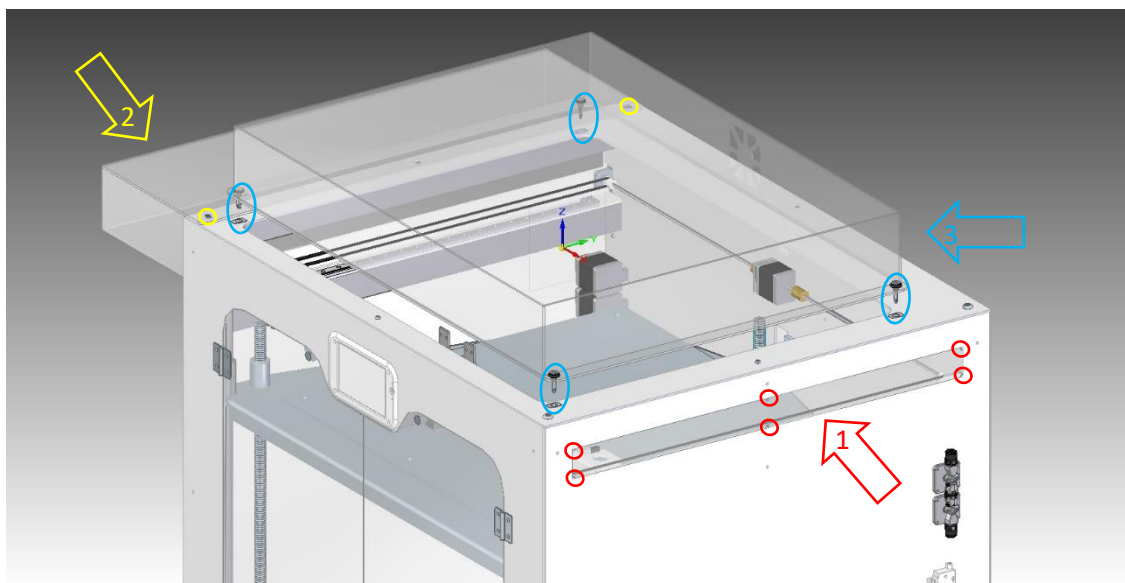
- Loosen the 4 screws on the top of the printer.
- Place the Kit Close on top, inserting the 4 screws through the 4 holes of the Kit Close.
- Move the Kit Close until it locks into place.
- Tighten the screws again to ensure that everything is securely fastened and does not come loose.



Kit Close assembly for BF range printers.

For the BigFoot family there are 3 types of Kit Close;

1. Dibond Hollow Closure Kit Close: 6 screws and 6 nuts are supplied. Place the Kit Close in its corresponding hole in the printer. Then place first the nut and then the screw in each of the holes. Finally screw everything tightly together.
2. Chain side Kit Close: 2 screws are supplied. Place the Kit Close in its corresponding hole in the printer. Insert the screws and screw them in.
3. Upper Kit Close: 4 camlock receptacles and 4 camlock fasteners are supplied. First place the 4 receptacles in the printer, in their corresponding slots. Then prepare to place the Kit Close on top. Finally place the 4 camlock latches on the Kit Close and push until they engage with the receptacle.

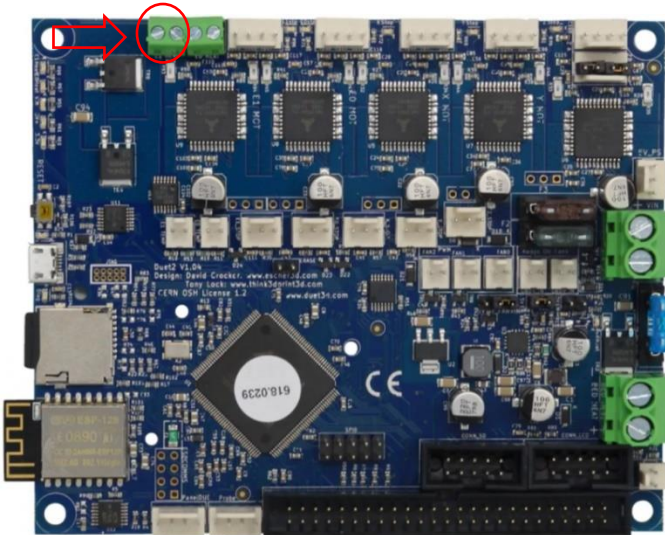


FAN CONNECTION KIT CLOSE

Once the Kit Close is mounted on the printer, you will have to connect the fan. The connection will depend on the printer model:

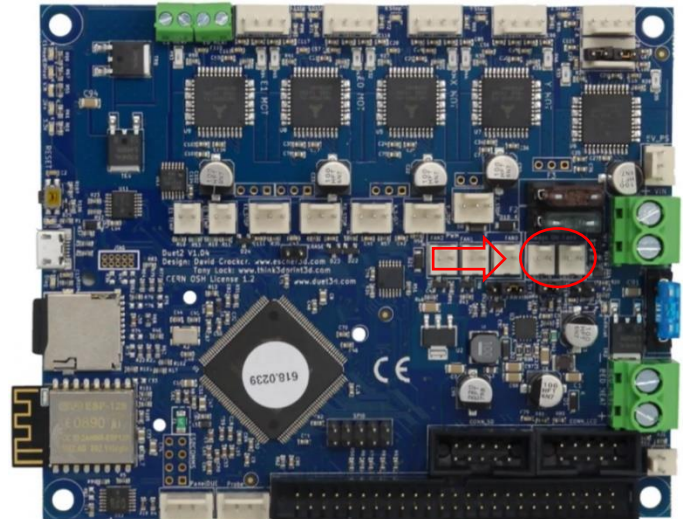
Simple Bowden or DirectDrive BF/NX printers

Connect in "E1_HEATER"



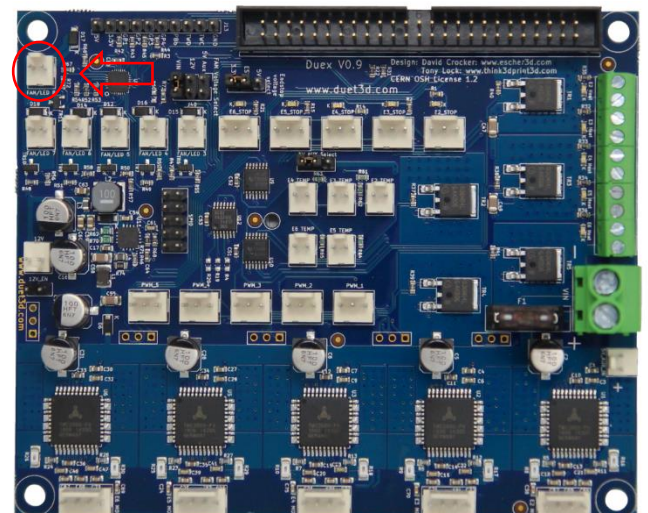
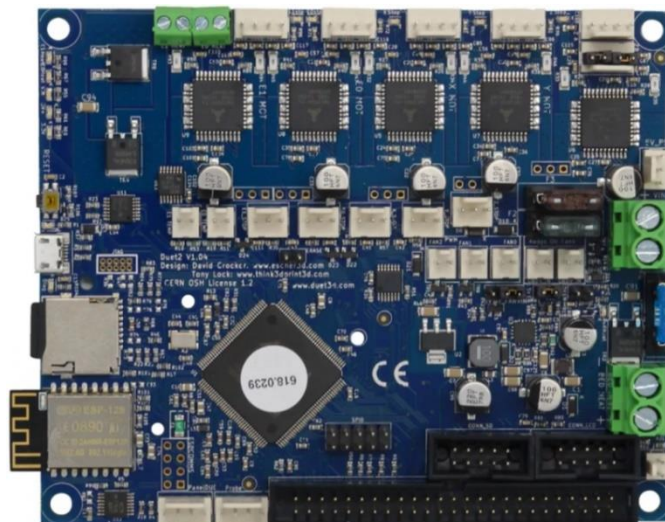
BF/NX single Pellet printers

Connect in "ALWAYS ON FANS"



Dual BF/NX printers.

Connect in "FAN 8"



In the following link you can access the detailed image of the Duet2 Wifi/Ethernet:

https://duet3d.dozuki.com/Wiki/Duet_Wiring_Diagrams

In the following link you can access the detailed image of the Duex:

https://duet3d.dozuki.com/Wiki/Duex_wiring_diagrams